



## Fluid Level Sight Gauges

### Sealed Back Model 550/T-550 3 Sizes (3.25", 5" & 7" bolt centers)

Models 550 - 3", 5" & 7" body frames are of heavy aluminum alloy with flat black finish. Serrated Flange Nuts are steel; hollow mounting bolts are carbon steel, zinc plated and furnished for 1/4" thick reservoir walls. Special longer hollow bolts can be furnished on request for 7/8" & 1 1/2" thick walls. (12mm & 3/8"-24 bolts available) Stainless steel bolts available upon request.

Standard 550 and T-550 models have 70 durometer buna - N, O-Ring Seals, silicone gaskets, tempered glass window and brushed aluminum backgrounds. They are for use with petroleum products, oil-water emulsions, and glycol-water solutions where temperatures do not exceed 200°F. Where the fluids used in the sight gauge is not known, we can furnish Viton O-rings (at additional cost).

#### T-550PE-5 Example:

(ethylene-propylene for phosphate ester base fluids)

Model T-550 With Thermometer  
(Available in 3 1/4", 5" & 7")

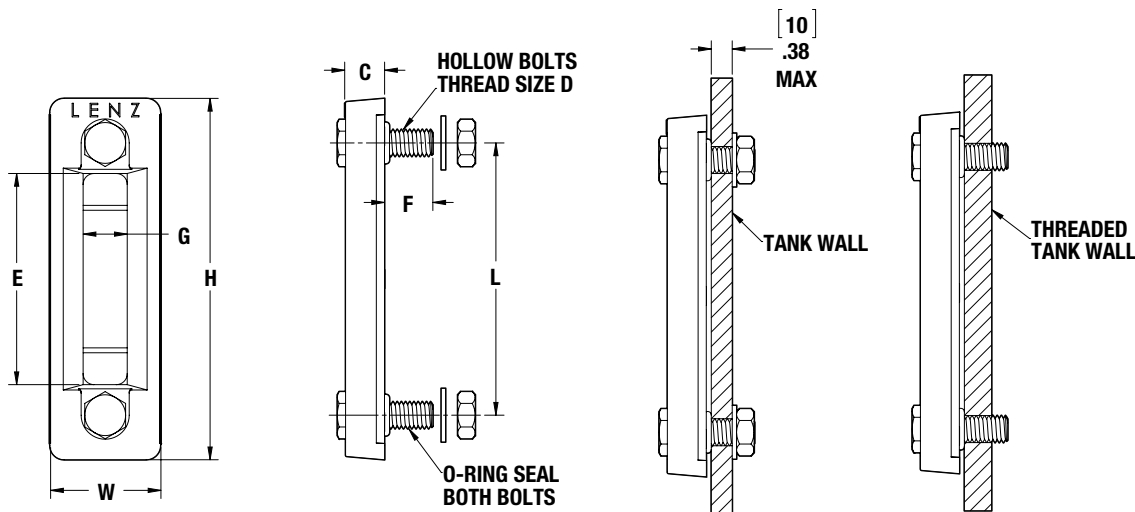
Note Dual Scales  
Fahrenheit/Centigrade



T-550-7

550-5

T-550-3

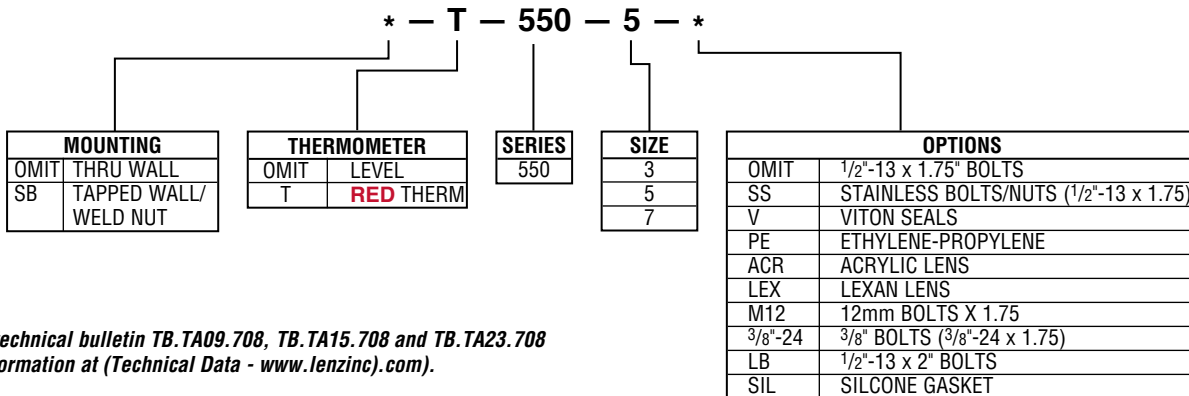


## Dimensional Detail

STANDARD MODELS	THERMOMETER MODELS		L	H	W	C	D	E	F	G
550-3	T-550-3	IN	3.25"	4.8"	2"	0.7"	1/2-13 UNC-2	2.2"	0.8"	0.8"
		MM	82.55	122	51	18		56	20	20
550-5	T-550-5	IN	5"	6.6"	2"	0.7"	1/2-13 UNC-2	3.9"	0.8"	0.8"
		MM	127	168	51	18		99	20	20
550-7	T-550-7	IN	7"	8.6"	2.3"	0.8"	1/2-13 UNC-2	5.9"	0.7"	1"
		MM	178	218	58	20		150	18	25

## Ordering Code

Note\* When ordering for tapped tank wall, add "SB" to part number Ex: SB-T-550-5



See website technical bulletin TB.TA09.708, TB.TA15.708 and TB.TA23.708 for further information at (Technical Data - [www.lenzinc.com](http://www.lenzinc.com)).